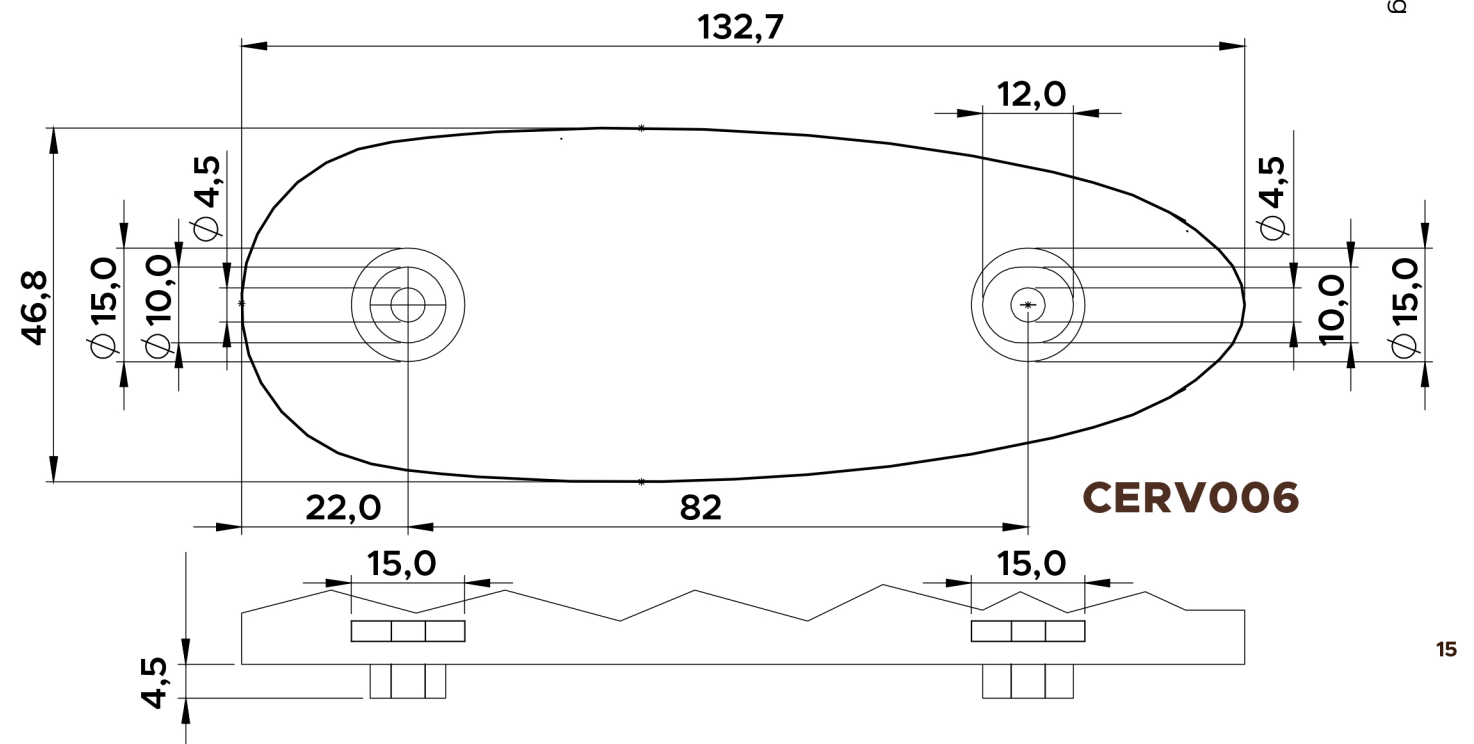
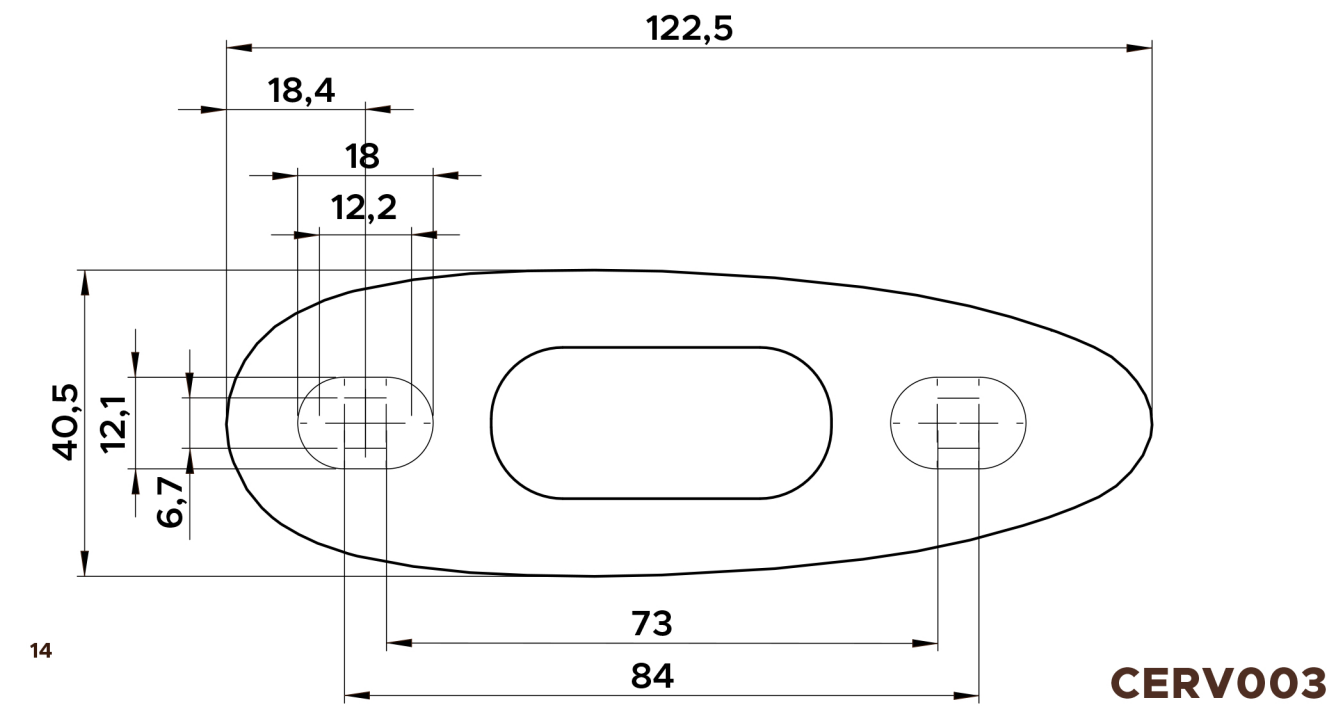
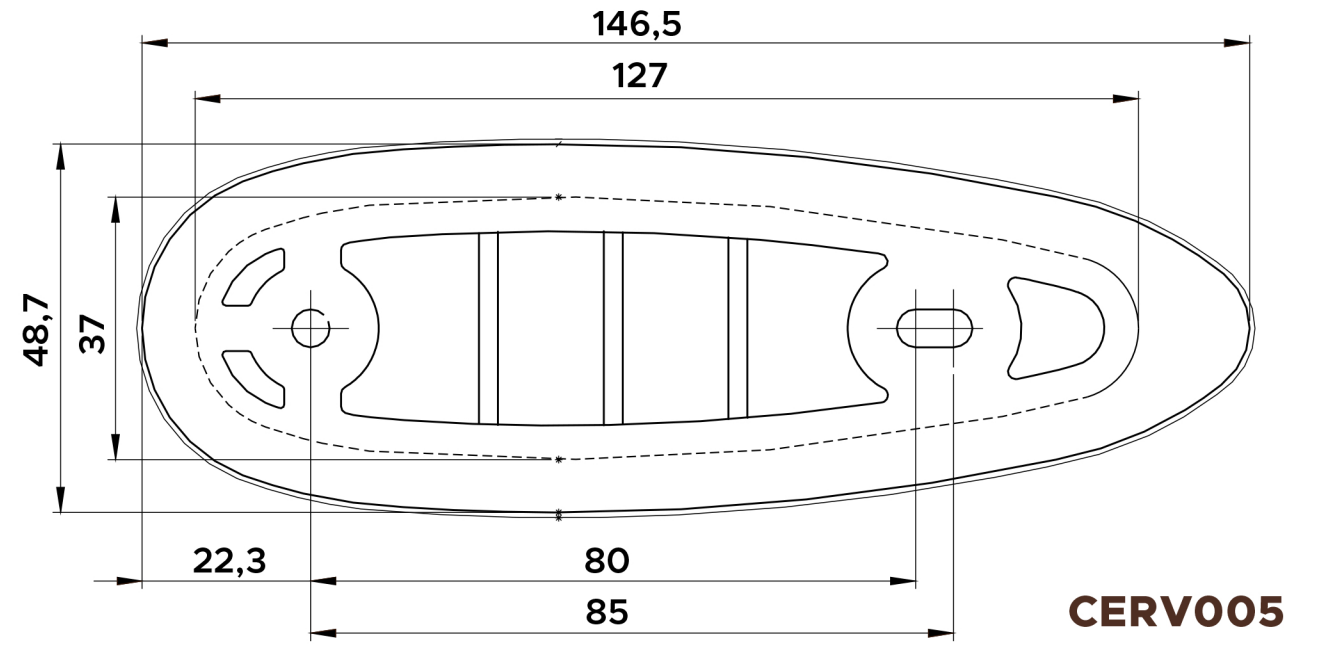
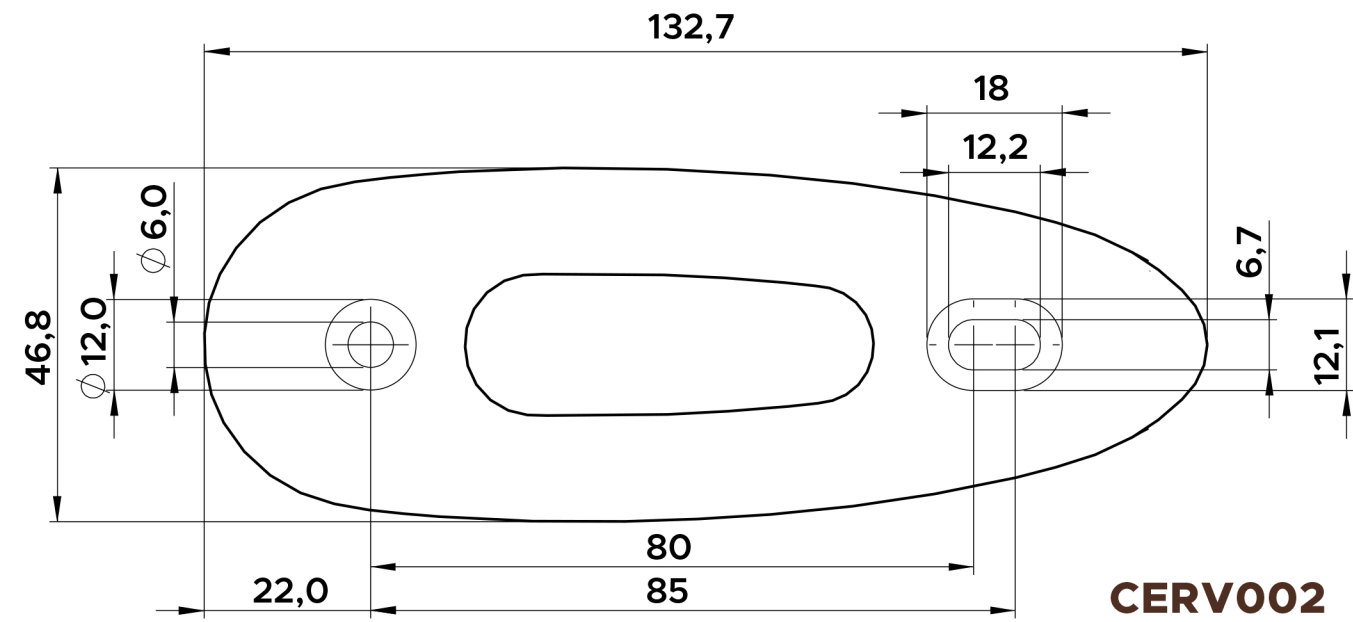
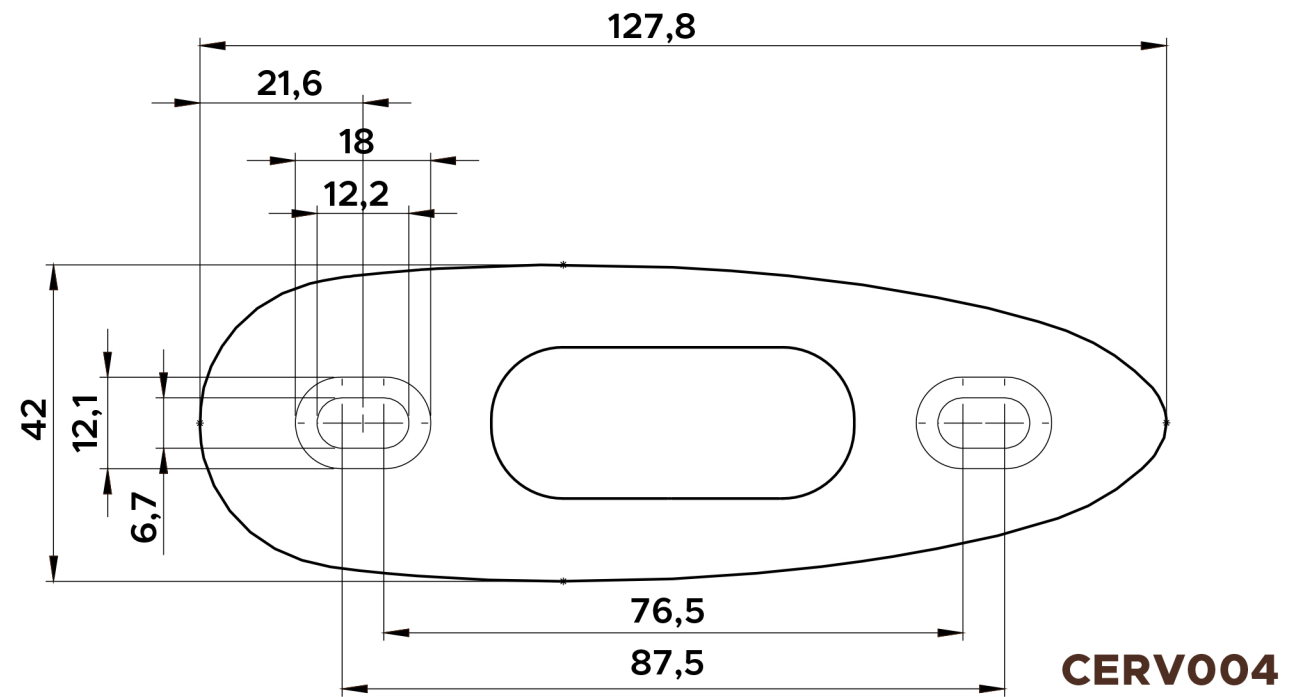
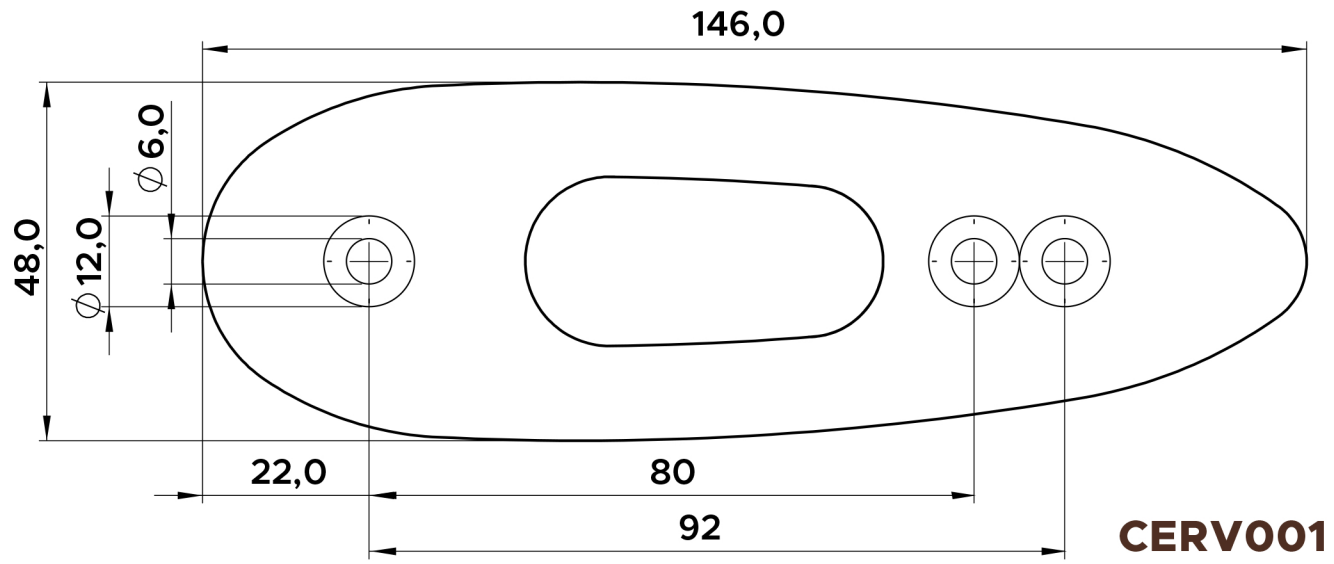


RECOIL PAD TEMPLATES



MICROCELL® FITTING TIPS
 To grind the toe end of Microcell® recoil pads, it is necessary to use a high-speed machine. We recommend employing a 400 grit sanding belt for finishing. The product does not melt, however failing to use a fine sanding belt might damage the pad external appearance. Best results can be achieved by using a new and lubricated belt and the stock should be gently drawn close to the belt.